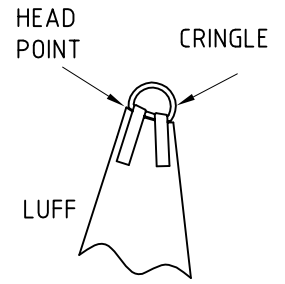
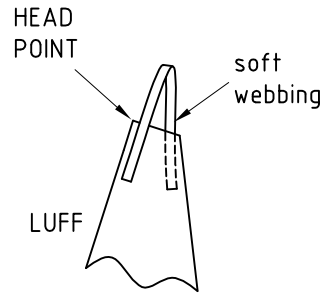
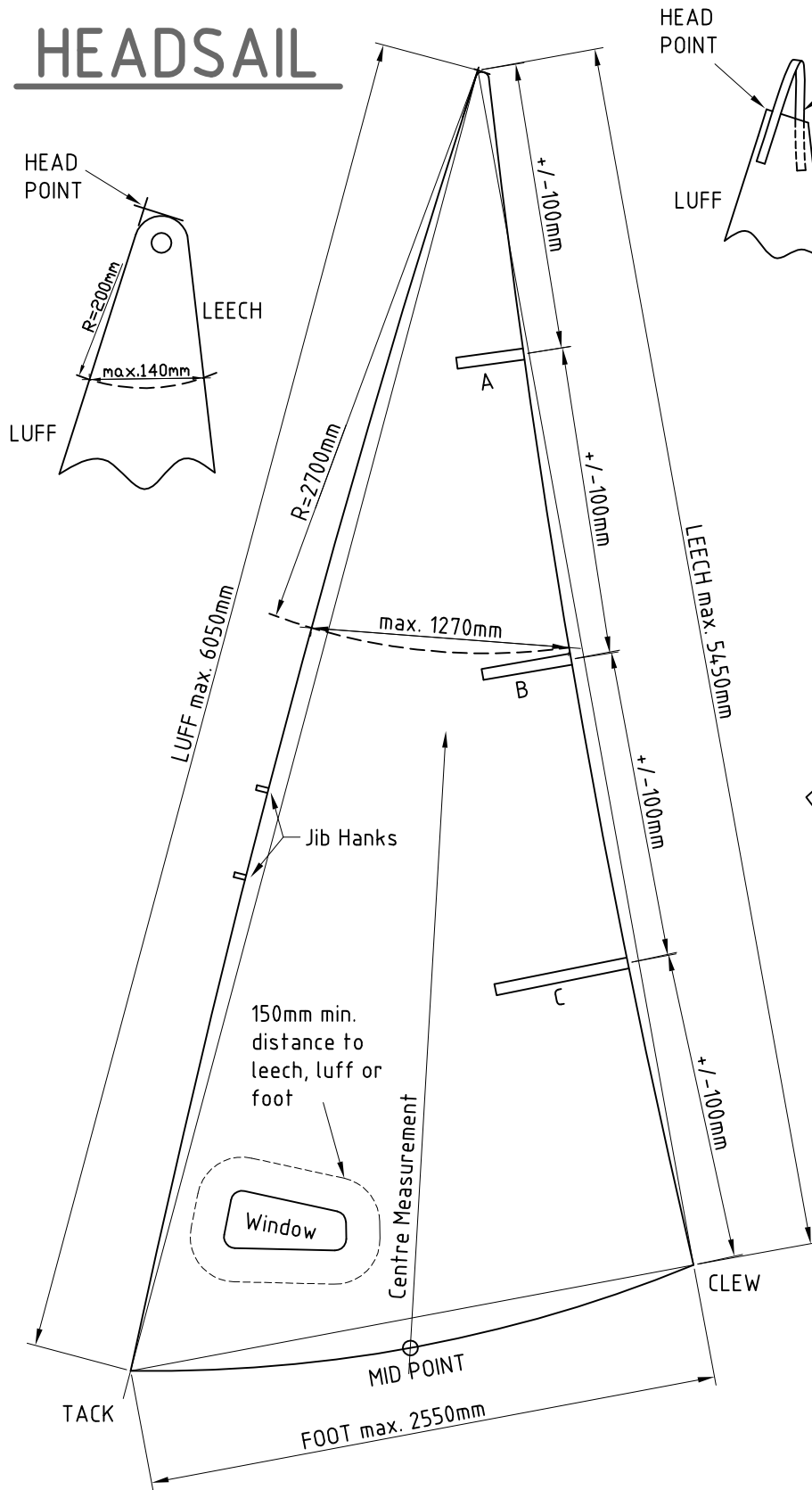


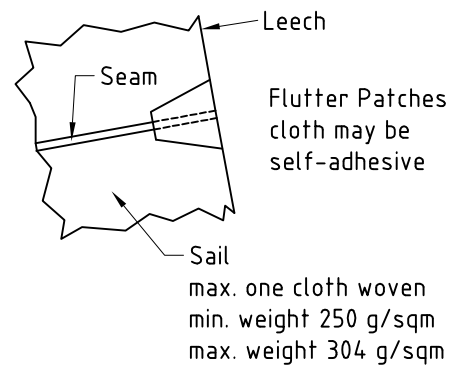
# HEADSAIL



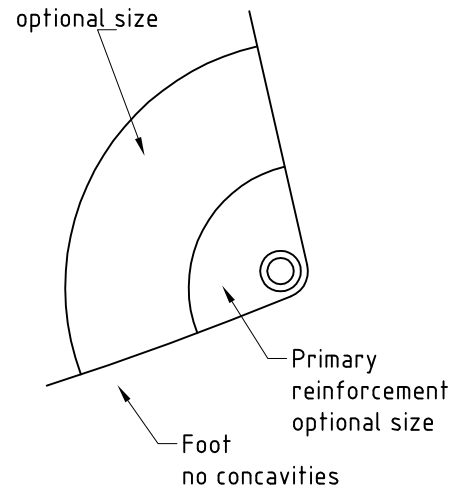
All dimensions from the top are to be taken from the head point of the sail perpendicular to the luff

Batten Pockets-  
not more than 3  
inside length max.:  
A=300mm  
B=400mm  
C=600mm

Jib Hanks out of soft material-  
Not more than 15 and not to be wider than 25mm



Flutter Patches  
cloth may be self-adhesive



Centre measurement-distance between intersecting point on the top and mid point on the foot: max. 5800mm

Reinforcement Patches-at batten pockets ends of optional size may be out of selfadhesive cloth

Chafing Patch-may be self-adhesive cloth, size optional

Windows-not more than 2, max. total area: 0.5 sqm

Sail Makers Mark-max. 150x150mm and within 380mm of the tack point

NORDIC FOLKBOAT DWG. No. 9  
SAIL MEASUREMENT DIAGRAM

Revision	Page	Date	Scale	Name
3	1 / 2	28.10.2016	not to scale	Kay-Enno Brink